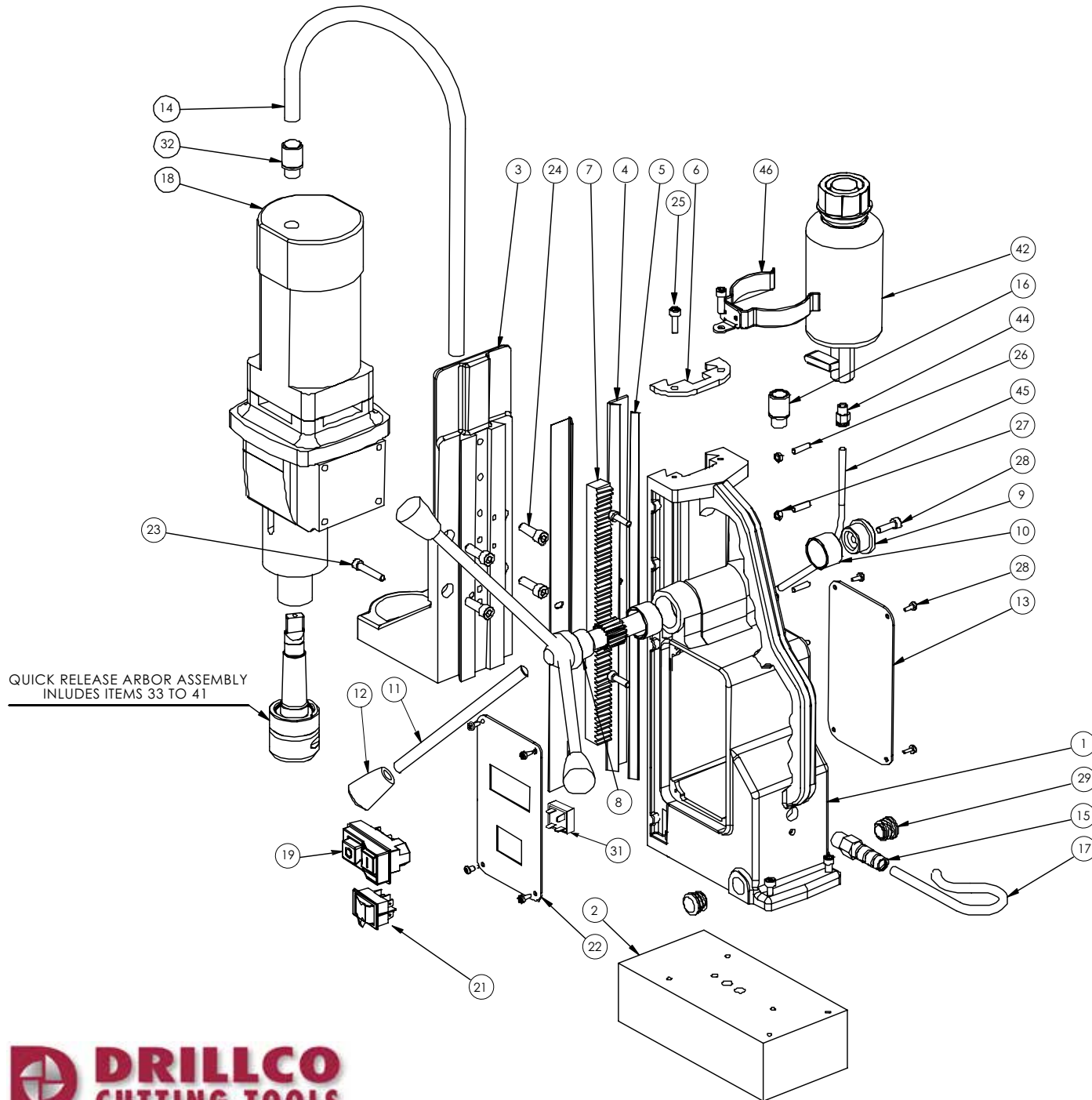


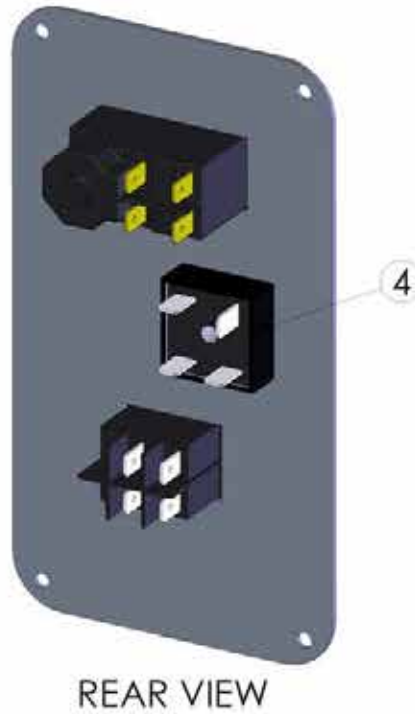
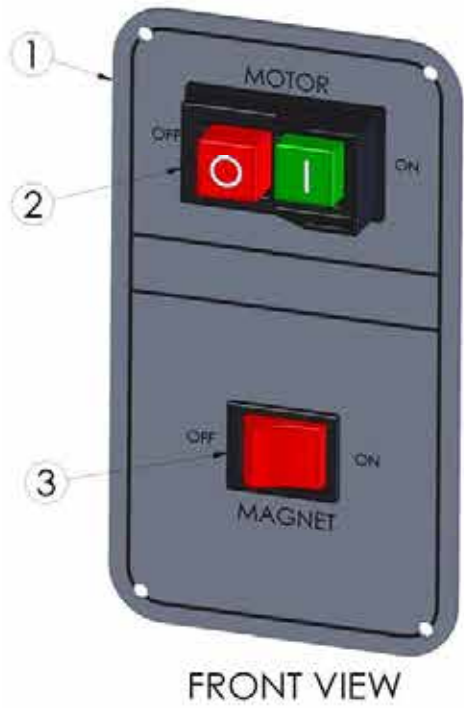
DC100 Assembly & Parts List



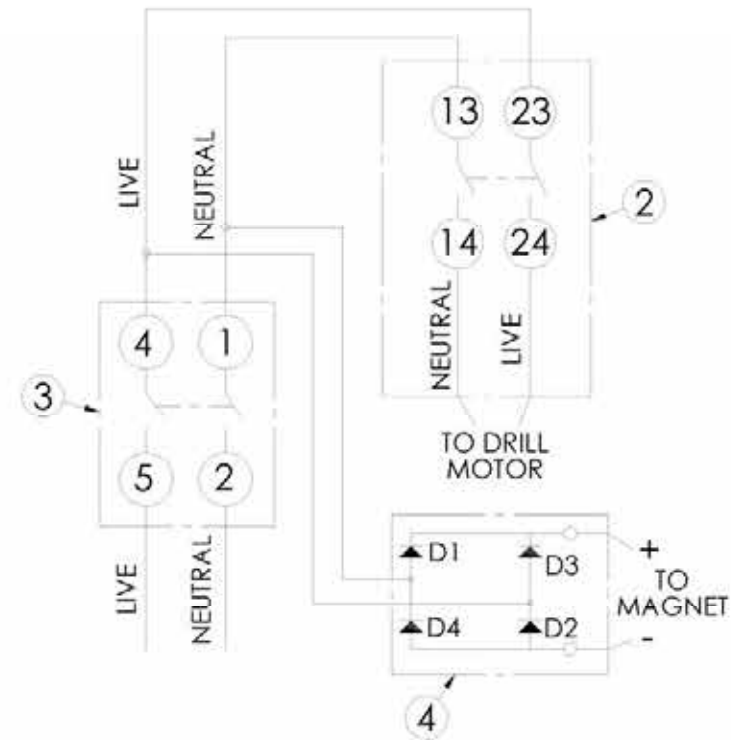
ITEM NO	DESCRIPTION	QTY
1	BODY	1
2	MAGNET BASE (LARGE)	1
3	EIBENSTOCK CRADLE	1
4	BRASS RAIL	2
5	G.F.S.	1
6	TOP PLATE (DOVETAIL)	1
7	RACK	1
8	PINION - (LARGE)	1
9	PINION END CAP (SHALLOW)	1
10	BUSH (PINION)	2
11	HANDLE (12mm LARGE)	3
12	HANDLE KNOB (12mm KNOCK ON)	3
13	WARNING PLATE (LARGE)	1
14	CONDUIT	1
15	M16 STRAIN RELIEF CABLE GLAND	1
16	M16 PUSH FIT GLAND	1
17	CABLE YELLOW (110V)	
18	EIBENSTOCK DRILL - 110V	1
19	DRILL STOP/START SWITCH 110V	1
20	BRIDGE RECTIFIER	1
21	MAGNET SWITCH (NCP)	1
22	NCP SWITCH PLATE LARGE	1
23	M6 x 30 CAP HEAD SCREW	1
24	M8 x 16 CAP HEAD SCREW	4
25	M6 x 16 CAP HEAD SCREW	5
26	M5 x 25 SOCKET SET SCREW	6
27	M5 NYLOK NUT	6
28	M4 x 10 BUTTON HEAD SCREW	8
29	SWIVEL PIN BLANKING BUNG	2
32	PG9 PUSH FIT GLAND	1
33	EIBENSTOCK Q/R ARBOR BODY	1
34	ARBOR EJECTION PLUG (M/TAPER)	1
35	ARBOR SPRING (M/TAPER)	1
36	QUICK RELEASE ARBOR COLLAR	1
37	QUICK RELEASE ARBOR LOCK SHOE	1
38	Q/RELEASE COLLAR SPRING	1
39	QUICK REL ARBOR TOR SPRING	2
40	20MM O/D X 4MM NITRILE O RING	1
41	38OD V INTERNAL CIRCLIP	1
42	LARGE OIL CUP ASSEMBLY	1
44	1/8" BSP - 6MM PUSH FIT CONNECT	2
45	6mm OIL PIPE (OIL FEED ASSY)	1
46	OIL CUP RETAINING CLIP COMPLETE	1

N.B. SAFETY GUARD (VISO10) IS NOT SHOWN

DC100 Switchplate (NCP Panel)

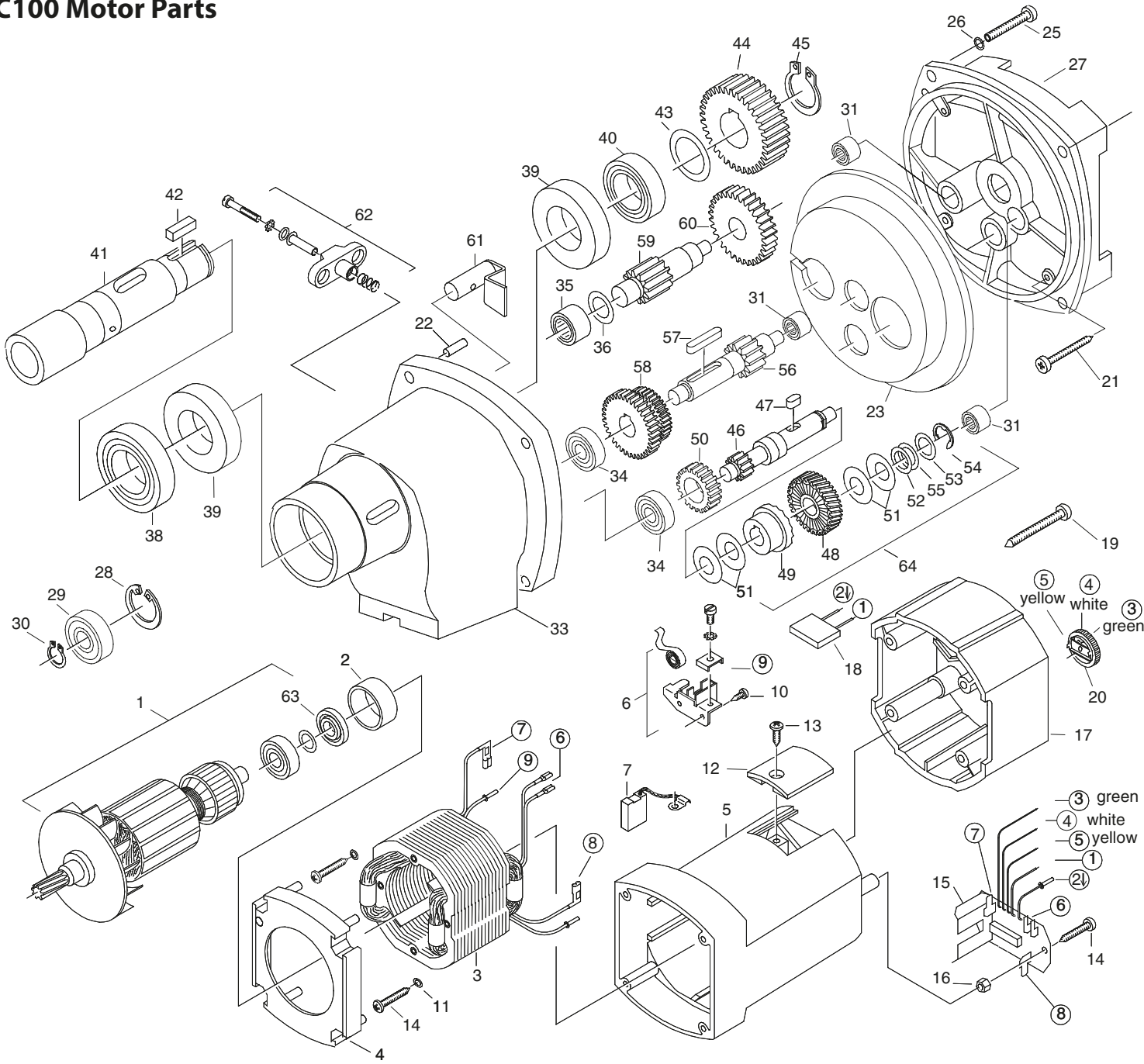


ITEM 4 TO BE BONDED TO REAR OF PLATE



ITEM NO.	QTY.	DESCRIPTION
1	1	NCP BLANK SWITCH PLATE - LARGE
2	1	DRILL STOP/START SWITCH-120v
3	1	MAGNET SWITCH-NCP PANEL
4	1	25A-BRIDGE RECTIFIER

DC100 Motor Parts



ITEM No	DESCRIPTION
1	ARMATURE 110V - worm drive
2	ARMATURE BEARING CAP
3	FIELD COIL 110V
4	FAN COVER
5	MOTOR HOUSING
6	BRUSH HOLDER
7	CARBON BRUSH
8	*****
9	*****
10	SCREW HC 2.9X13
11	SPRING WASHER S6
12	BRUSH COVER
13	SCREW HC 4.2X13
14	SCREW HC 4.2X25
15	CIRCUIT BOARD 110V
16	M5 PLASTIC NUT
17	DRILL CAP
18	SUPPRESSOR
19	SCREW HC 4.8X50
20	SPEED CONTROL KNOB
21	SCREW HC 4.8X45
22	LOCATING DOWEL 5X12
23	GEAR PLATE SHIELD
24	*****
25	SCREW M6X20
26	WASHER A6
27	GEAR PLATE
28	CIRCLIP 32/1.2
29	BEARING '6201 LUZ'
30	CIRCLIP 11/1
31	HK0810 BEARING
33	GEAR BOX HOUSING
34	BEARING '6000'
35	'RNA 4900' NEEDLE BEARING
36	RNA 4900' WASHER
37	*****
38	BEARING '6006 2RS'
39	SEAL '30X47X7'
40	BEARING '6005 2RS'
41	SPINDLE
42	KEY 'B6X6X20
43	COMPRESSOR RING 32/35X0.1
44	MAIN GEAR
45	CIRCLIP 24/1.2
46	TRAILER GEAR 1
47	KEY
48	CLUTCH GEAR - WORM DRIVE
49	CLUTCH COUPLING
50	INTER GEAR 28 Z
51	WASHER '28X12.2X1'
52	WASHER '12/18X0.5
53	THRUST WASHER
54	CIRCLIP '9'
55	THRUST WASHER '12.1X18X1'
56	TRAILER GEAR 2
57	KEY 'A5X5X28
58	DOUBLE GEAR
59	TRAILER GEAR 3
60	SPUR GEAR
61	GEAR LEVER
62	GEAR LEVER ASSEMBLY
63	TACHO RING
64	CLUTCH GEAR ASSEMBLY